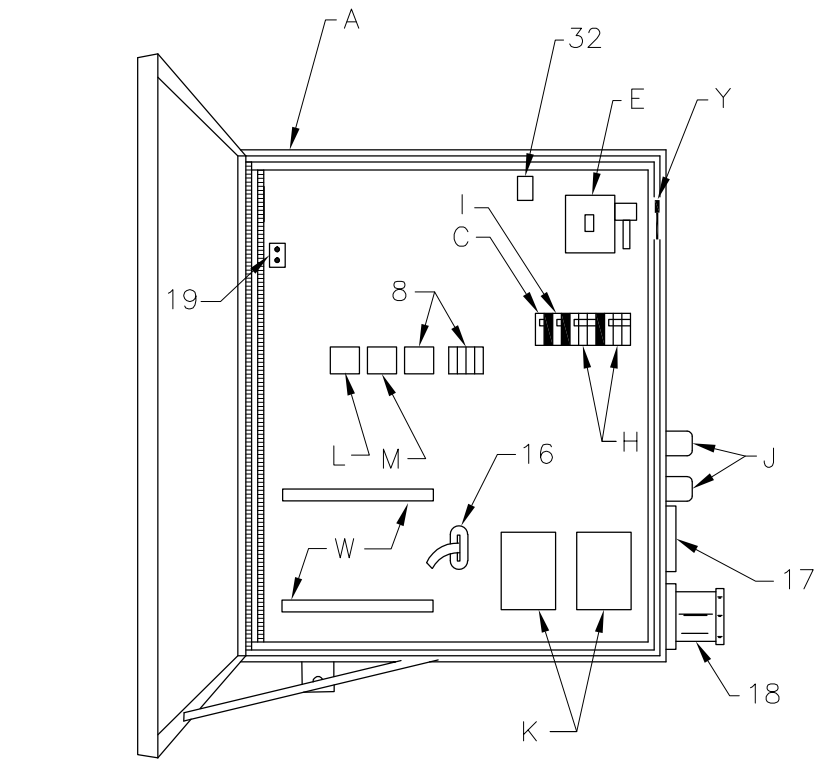
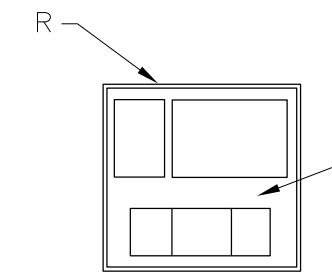


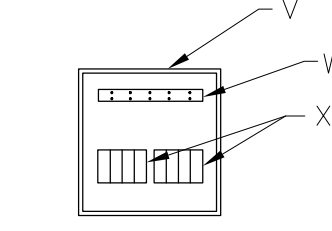
1 CONTROL PANEL ELEVATION
N.T.S.



DUPLEX CONTROL PANEL ENCLOSURE DEAD FRONT LAYOUT

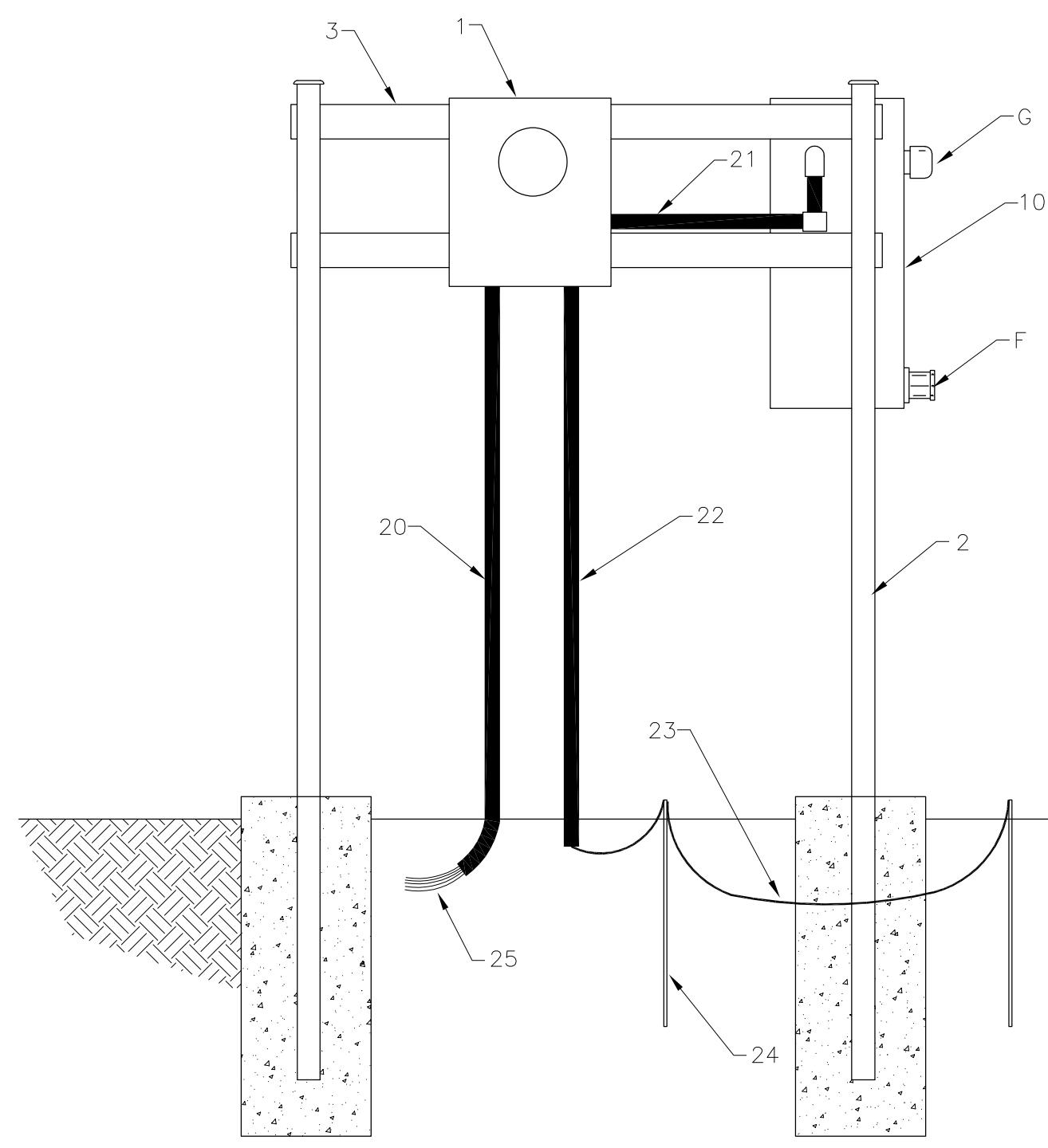


RTU ENCLOSURE

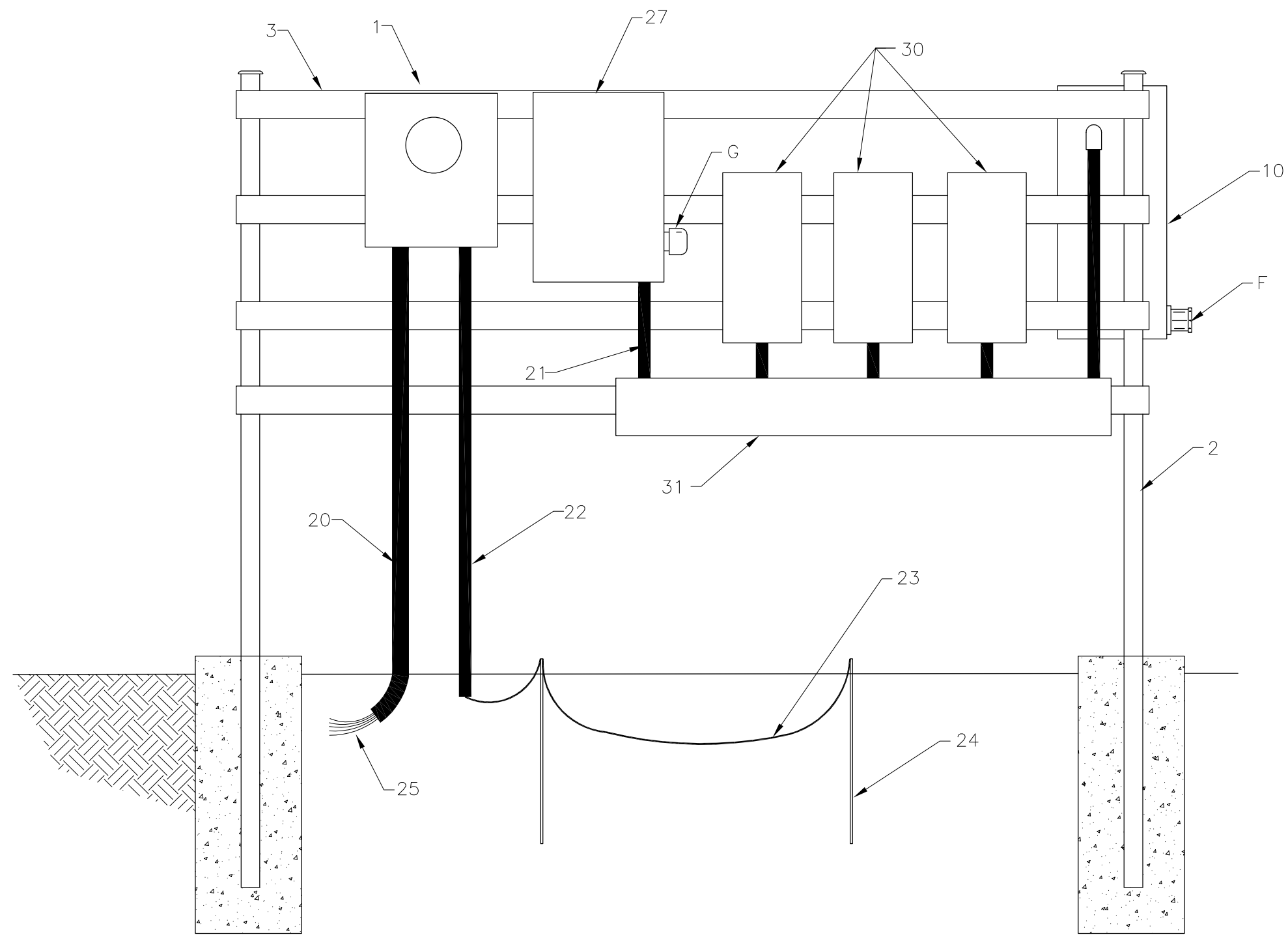


MOTOR JUNCTION BOX

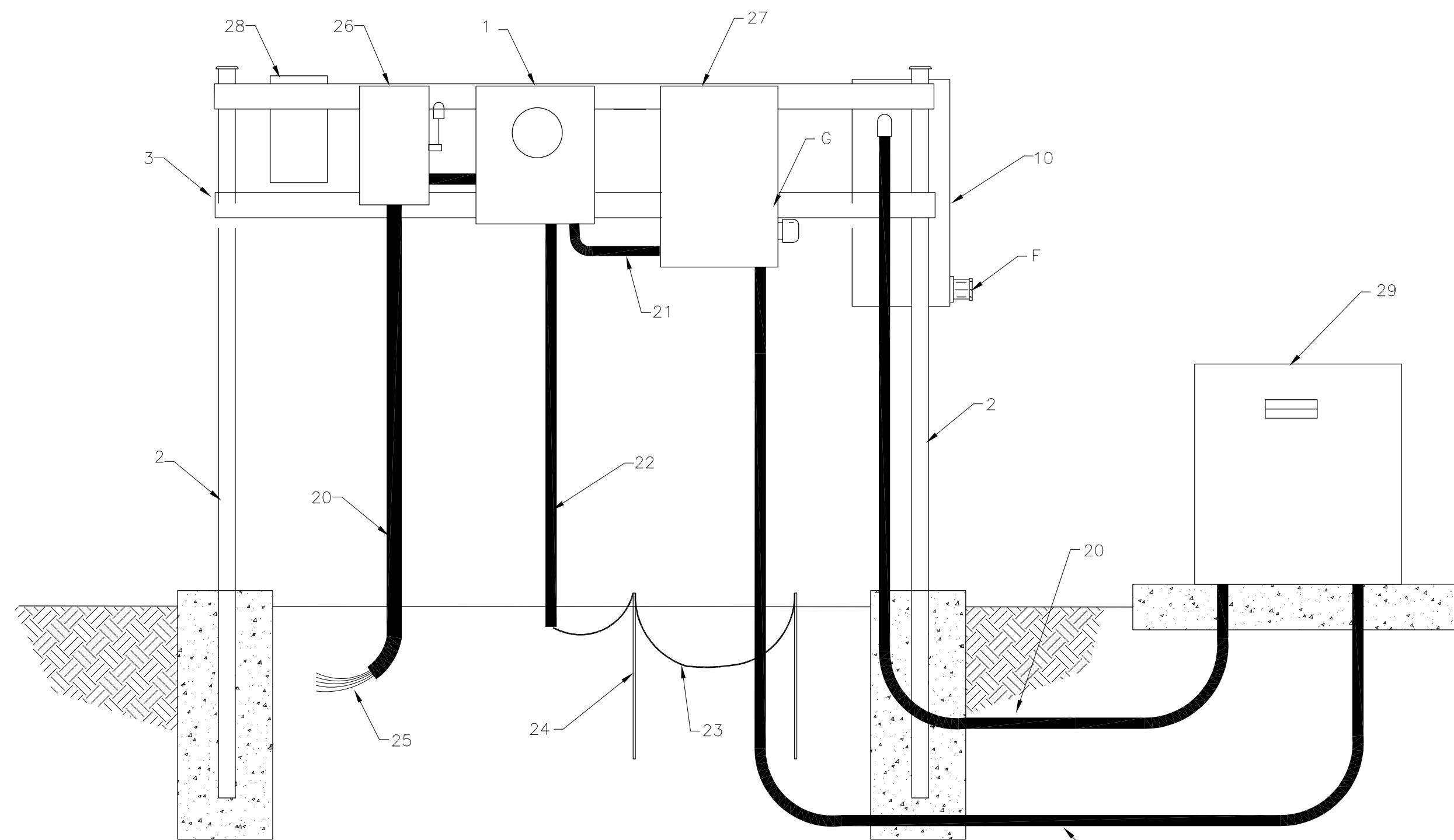
2 CONTROL PANEL LAYOUT DETAILS
N.T.S.



3 TYPICAL SERVICE - 230v 3ph
N.T.S.



4 TYPICAL SERVICE - 208v TO 230v 3ph
N.T.S.



4 TYPICAL SERVICE - 460v TO 230v 3ph
N.T.S.

CONSTRUCTION NOTES:

- A. PANEL ENCLOSURE NEMA 4x, 304 STAINLESS STEEL (30x26x8 IN)
- B. LS150 PLC/RTU CONTROL PACKAGE
- C. GFI/AREA LIGHT CIRCUIT BREAKER
- D. AREA LIGHT
- E. MAIN PANEL CIRCUIT BREAKER (480v)
- F. GENERATOR RECEPTACLE (PYLE NATIONAL JRE 4100)
- G. SURGE ARRESTOR
- H. MOTOR CIRCUIT BREAKERS (230v)
- I. CONTROL CIRCUIT BREAKER (120v)
- J. SELECTOR SWITCHES (ALLEN-BRADLEY KEYED)
- K. MOTOR STARTERS (SIEMENS HD)
- L. CONTROL RELAY (11 PIN)
- M. CONTROL RELAY (8 PIN)
- N. ALARM TD RELAY (8 PIN)
- O. TRANSUCER ASSEMBLY
- P. STARTER TD RELAY (8 PIN) OVER 30 HP DUPLEX
- Q. ALARM LIGHT (Red)
- R. RTU ENCLOSURE
- S. 2 INCH SEAL OFF (TRANSUCER CORD)
- T. NOT USED
- U. 2 INCH GALVANIZED PVC COATED CONDUIT
- V. MOTOR JUNCTION BOX
- W. CONTROL/SENSORS TERMINAL STRIP
- X. MOTOR TERMINAL BLOCKS
- Y. PANEL BREAKER OPERATOR
- Z. VHF ANTENNA
- 1. METER BASE
- 2. 2 INCH GALVANIZED PIPE W/CAPS AND BASE ANCHORED IN CONCRETE
- 3. 1 1/2 INCH SQ. STEEL CHANNEL W/ PIPE CLAMPS & RUBBER ENDS CAPS
- 4. 1/2 INCH RIGID GALVANIZED PIPE
- 5. 2 INCH SEAL OFF
- 6. NOT USED
- 7. 2 INCH GALVANIZED PVC COATED CONDUITS (PUMP CORDS)
- 8. PHASE MONITOR AND SUPPRESSER FUSES WITH BLOCK (500V)
- 9. PUMP CORD AND SENSOR ENTRANCE INTO WET WELL
- 10. MAIN DISCONNECT/TRANSFER SWITCH
- 11. PVC AIR TUBE GUIDE, NM STRAPS & ANCHORS W/ STAINLESS SCREWS
- 12. LOW LIMIT BALL
- 13. HIGH LIMIT ALARM BALL
- 14. NOT USED
- 15. NOT USED
- 16. ALARM LIGHT FLASHER UNIT
- 17. AREA LIGHT SWITCH (W.P. FLUSH)
- 18. G.T.C.I. RECEPTACLE (W.P. BOX AND COVER)
- 19. CONTROL (X-2) LUG
- 20. 1 1/2 INCH OR 1 1/2 INCH PVC SCHEDULE 80 CONDUIT
- 21. 1 1/2 INCH OR 1 1/2 INCH PVC SCHEDULE 40 CONDUIT
- 22. 1/2 INCH PVC SCHEDULE 40 CONDUIT
- 23. #4 BSD CU WIRE
- 24. 8 INCH X 8 FOOT GALVANIZED GROUND RODS
- 25. SERVICE ENTRANCE CABLE (SEE SPECIFICATION SHEET)
- 26. 600v 100amp NF 3P SAFETY SWITCH
- 27. MAIN DISCONNECT 3R SINGLE BREAKER IN ENCLOSURE
- 28. 2KVA 230v X 120v TRANSFORMERS DRY (CONTROL & LIGHTING)
- 29. 75KVA 460v X 230v 3ph TRANSFORMER
- 30. BUCK/BOOST TRANSFORMERS DRY 12/24v X240/480v
- 31. TYPE 3R WIRE TROUGH
- 32. EQUIPMENT GROUND LUG
- 34. DEAD FRONT INNER DOOR W/BARRIER (ALUMINUM) 460V SIDE ONLY
- 35. CIRCUIT BREAKER FOR LIGHTING & CONTROL TRANSFORMER (480V)

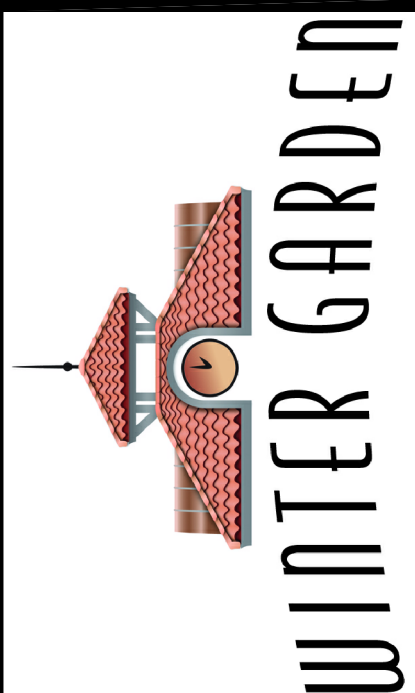
NOTE:
SEWER LIFT STATION INSTALLATION AND MATERIAL SHALL CONFORM TO MINIMUM REQUIREMENTS OF NEC 500 THROUGH 504 FOR HAZARDOUS/CLASSIFIED LOCATIONS.

WINTER GARDEN STANDARDS INCORPORATED WITH DESIGN ENGINEERS DOCUMENTS:

THE DETAILS, NOTES AND SPECIFICATIONS SHOWN ON THIS SHEET REPRESENT THE NOTED STANDARDS OF THE CITY OF WINTER GARDEN FOR CONSTRUCTION OF PUBLIC WORKS AND UTILITY INFRASTRUCTURE. BY INCLUDING THE STANDARDS, THE DESIGN ENGINEER HAS ACKNOWLEDGED THAT THEY ARE EFFECTIVE TO THE PROJECT AND THAT DETAILS, NOTES, OR SPECIFICATIONS ARE AS PROVIDED BY THE CITY AND HAVE NOT BEEN REVISED OR MODIFIED WITHOUT WRITTEN APPROVAL FROM THE CITY ENGINEER OR UTILITY DIRECTOR.

DATE	ITEM
4/4/14	Control Panel
5/29/18	Conduits & Seal Offs

**CITY OF WINTER GARDEN, FLORIDA
STANDARDS AND SPECIFICATIONS
FOR LIFT STATION ELECTRICAL PANEL**



**STANDARD DETAILS
FOR
ELECTRICAL - 230VAC DELTA**

DATE	SHEET
JUNE 2018	6

6 OF 11